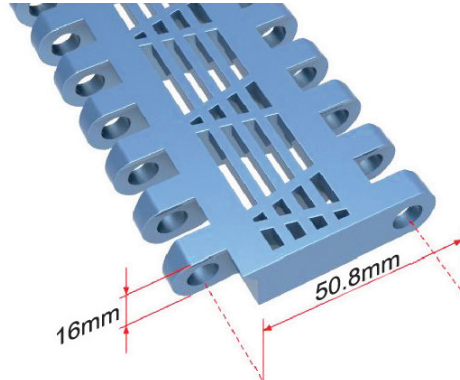


HS-902B

Pitch	50.8 mm
Minimum width	150 mm
Open area	23%
Approved	FDA
Rod	Ø 8 mm
Flight	Yes
Side guard	Yes
Curve	No



DATA

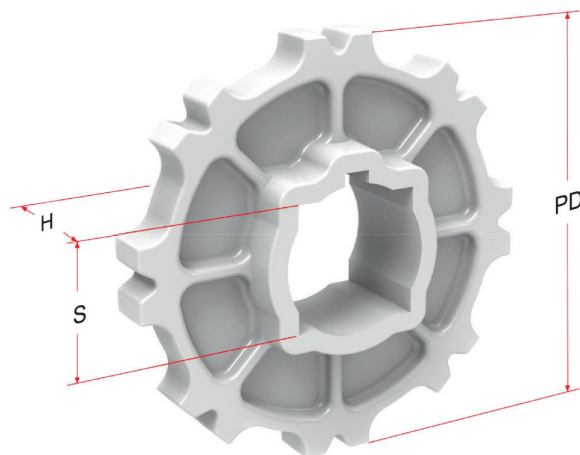
Belt material	Belt strenght			Temperature		Belt weight [kg/m ²]
	Straight		Curve	°C [min.]	°C [max.]	
	kg/m[BW]	N/m[BW]				
Polypropylene	1340	13400	-	1	100	9.3
Polyethylene	1280	12800	-	-60	60	9.8
Acetal	1770	17700	-	-40	80	14.0
Nylon	1520	15200	-	1	180	12.6

BW - belt width

COLOR TABLE

Polypropylene					Polyethylene					Acetal					Nylon				
W	G	N	DB	B	W	G	N	DB	B	W	G	N	DB	B	W	G	N	DB	B
●	●						●			●				●				●	

W - White, G - Grey, N - Nature, DB - Dark brown, B-Blue



SPROCKET DIMENSIONS

No. teeth	PD [mm]	S [mm]	D [mm]	H [mm]	K [mm]
7	117	38.5/40.5	38.5/45.5/47.5	35	7x7
8	132.7	38.5/40.5	38.5/45.5/47.5	35	7x7
9	148.5	38.5/40.5/50.5	35.5/40.5/45.5	35	7x7
10	194.4	38.5/40.5	38.5/45.5/47.5	35	7x7