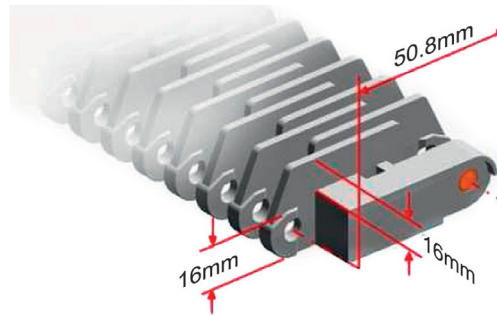


# HS-901D

Pitch	50.8 mm
Minimum width	163 mm
Open area	36%
Approved	FDA
Rod	Ø 6 mm
Flight	No
Side guard	No
Curve	No



## DATA

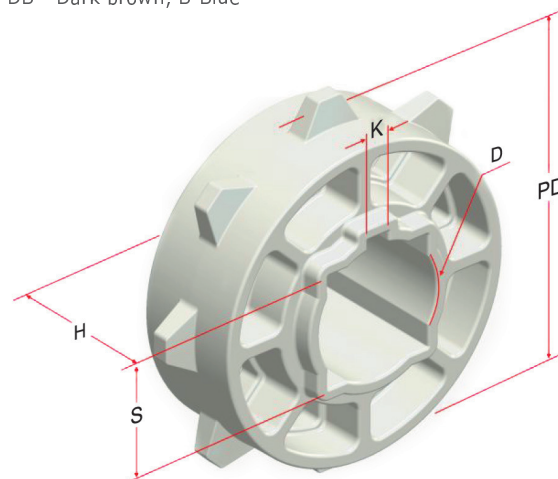
Belt material	Belt strenght			Temperature		Belt weight [kg/m <sup>2</sup> ]
	Straight		Curve	°C [min.]	°C [max.]	
	kg/m[BW]	N/m[BW]				
Polypropylene	2500	25000	-	1	100	9.6
Polyethylene	2600	26000	-	-60	60	9.6
Acetal	4760	47600	-	-40	80	13.6

BW - belt width

## COLOR TABLE

Polypropylene					Polyethylene					Acetal				
W	G	N	DB	B	W	G	N	DB	B	W	G	N	DB	B
●	●						●			●			●	●

W - White, G - Grey, N - Nature, DB - Dark brown, B-Blue



## SPROCKET DIMENSIONS

No. teeth	PD [mm]	S [mm]	D [mm]	H [mm]	K [mm]
8	133	35	40.5	48.5	12x8
12	196	-	40.5	48.5	12x8