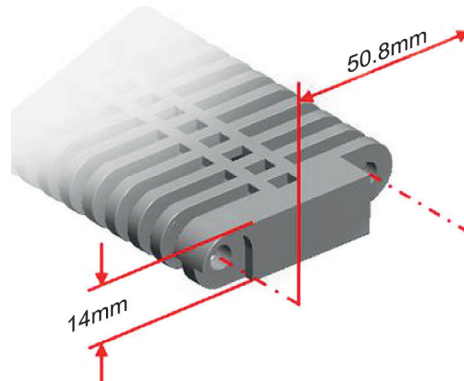


HS-901B

Pitch	50.8 mm
Minimum width	152 mm
Open area	18%
Approved	FDA
Rod	Ø 6 mm
Flight	No
Side guard	No
Curve	No



DATA

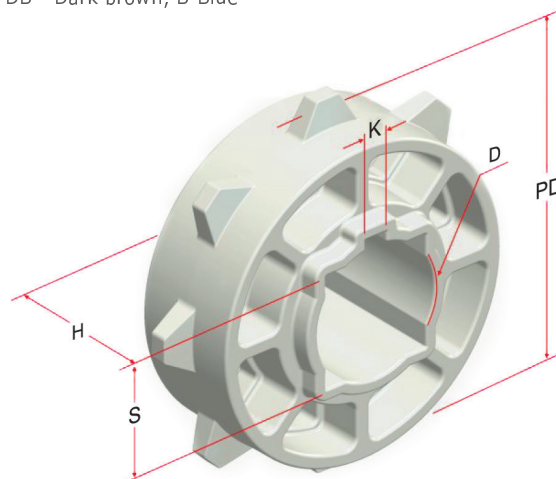
Belt material	Belt strenght			Temperature		Belt weight [kg/m ²]
	Straight		Curve	°C [min.]	°C [max.]	
	kg/m[BW]	N/m[BW]				
Polypropylene	3500	35000	-	1	100	8.4
Polyethylene	2600	26000	-	-60	60	9.3
Acetal	4760	47600	-	-40	80	13.6

BW - belt width

COLOR TABLE

Polypropylene					Polyethylene					Acetal				
W	G	N	DB	B	W	G	N	DB	B	W	G	N	DB	B
●	●						●			●			●	●

W - White, G - Grey, N - Nature, DB - Dark brown, B-Blue



SPROCKET DIMENSIONS

No. teeth	PD [mm]	S [mm]	D [mm]	H [mm]	K [mm]
6	91	38.5	-	38	-
8	133	38.5/40.5	-	48.5	-
8-Split	133	38.5/40.5	-	48.5	-
12	196	38.5/40.5/60.5/70.5	40	48.5	12x8
17	275	120	-	48.5	-