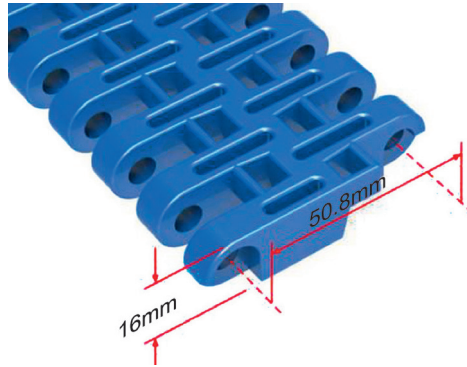


HS-900B-HD

Pitch	50.8 mm
Minimum width	224.5 mm
Open area	32%
Approved	FDA
Rod	Ø 7 mm
Flight	Yes
Side guard	Yes
Curve	No



DATA

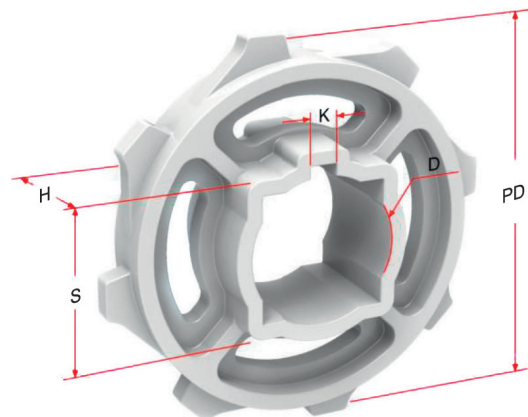
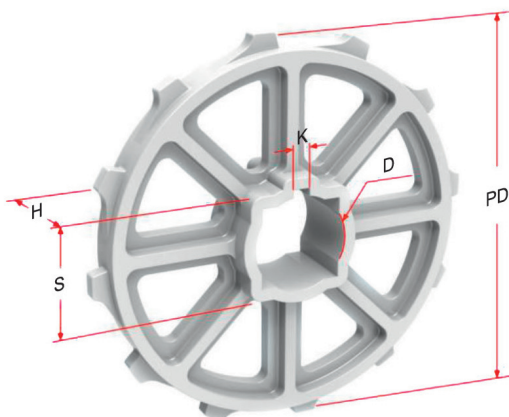
Belt material	Belt strenght			Temperature		Belt weight [kg/m ²]
	Straight		Curve	°C [min.]	°C [max.]	
	kg/m[BW]	N/m[BW]				
Polypropylene	2745	27450	-	1	110	8.2
Polyethylene	2610	26100	-	-60	60	8.6
Acetal	3090	30900	-	-40	80	12.4
Nylon	2400	24000	-	1	180	11.2

BW - belt width

COLOR TABLE

Polypropylene					Polyethylene					Acetal					Nylon				
W	G	N	DB	B	W	G	N	DB	B	W	G	N	DB	B	W	G	N	DB	B
●	●																		

W - White, G - Grey, N - Nature, DB - Dark brown, B-Blue



SPROCKET DIMENSIONS

No. teeth	PD [mm]	S [mm]	D [mm]	H [mm]	K [mm]
8	132.5	38.5/40.5	-	38	-
9	148	38.5/40.5	-	38	-
10	164	38.5/40.5	65.3	38	8x7
12	196	38.5/40.5	-	38	-