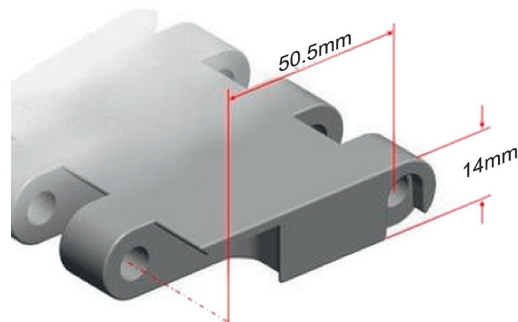


HS-900A

Pitch	50.8 mm
Minimum width	150 mm
Open area	0%
Approved	FDA
Rod	Ø 6 mm
Flight	Yes
Side guard	Yes
Curve	No



DATA

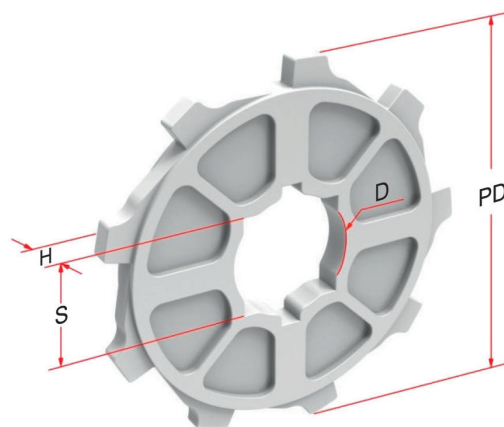
Belt material	Belt strenght			Temperature		Belt weight
	Straight		Curve	°C [min.]	°C [max.]	[kg/m ²]
	kg/m[BW]	N/m[BW]				
Polypropylene	2745	27450	-	1	100	6.6
Polyethylene	2610	26100	-	-60	60	7.4
Acetal	3090	30900	-	-40	80	9.5
Nylon	2400	24000	-	1	180	8.5

BW - belt width

COLOR TABLE

Polypropylene					Polyethylene					Acetal					Nylon				
W	G	N	DB	B	W	G	N	DB	B	W	G	N	DB	B	W	G	N	DB	B
●	●						●			●						●			

W - White, G - Grey, N - Nature, DB - Dark brown, B-Blue



SPROCKET DIMENSIONS

No. teeth	PD [mm]	S [mm]	D [mm]	H [mm]	K [mm]
6	101.5	38.5	45.5	20	7x7
9	148.5	38.5*	45.5	20	8x8
12	196	60.5	-	20	-

S* - double rows square bore of sprocket is 40.5x40.5 mm.