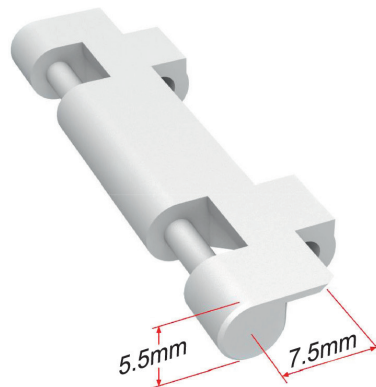


HS-750RC

Pitch	7.5 mm
Minimum width	46 mm
Open area	0%
Approved	FDA
Rod	No
Flight	Yes
Side guard	No
Curve	No



DATA

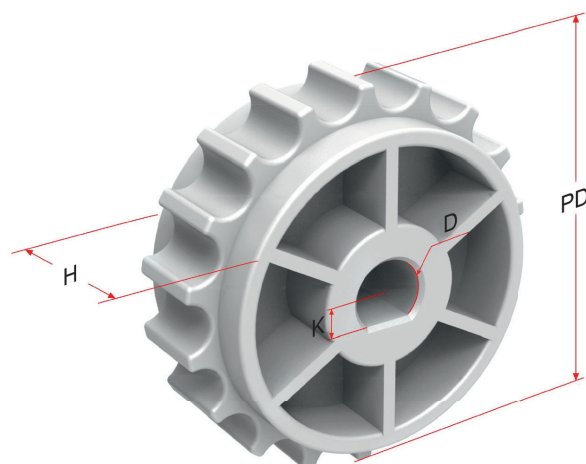
Belt material	Belt strenght			Temperature		Belt weight [kg/m ²]
	Straight		Curve	°C [min.]	°C [max.]	
	kg/m[BW]	N/m[BW]				
Polypropylene	800	8000	-	1	100	
Acetal	465	4650	-	-60	60	0.148

BW - belt width

COLOR TABLE

Polypropylene					Polyethylene					Acetal					Nylon				
W	G	N	DB	B	W	G	N	DB	B	W	G	N	DB	B	W	G	N	DB	B
●				●			●			●						●			

W - White, G - Grey, N - Nature, DB - Dark brown, B-Blue



SPROCKET DIMENSIONS

No. teeth	PD [mm]	D [mm]	H [mm]	K [mm]
18	43	8	19	-
18-Idler	43	14	19	-