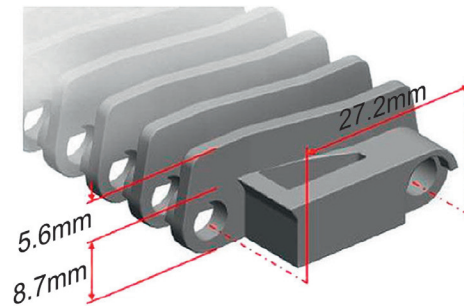


# HS-701B

Pitch	27.2 mm
Minimum width	208 mm
Open area	38%
Approved	FDA
Rod	Ø 5 mm
Flight	No
Side guard	No
Curve	No



## DATA

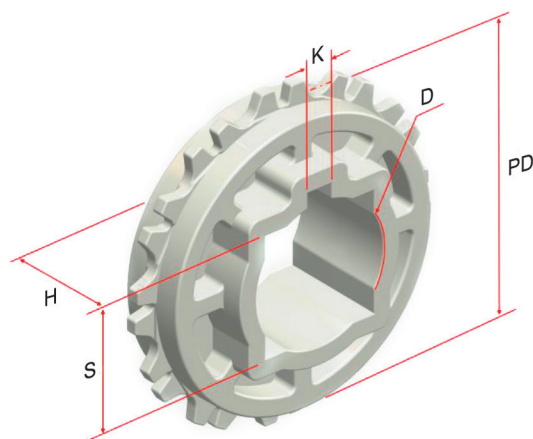
Belt material	Belt strenght			Temperature		Belt weight [kg/m <sup>2</sup> ]
	Straight		Curve	°C [min.]	°C [max.]	
	kg/m[BW]	N/m[BW]				
Polypropylene	1320	13200	-	1	100	5.2
Polyethylene	1060	10600	-	-60	60	5.6
Acetal	1880	18800	-	-40	80	8.2
Nylon	1610	16100	-	1	180	7.8

BW - belt width

## COLOR TABLE

Polypropylene					Polyethylene					Acetal					Nylon				
W	G	N	DB	B	W	G	N	DB	B	W	G	N	DB	B	W	G	N	DB	B
●	●			●			●			●						●			

W - White, G - Grey, N - Nature, DB - Dark brown, B-Blue



## SPROCKET DIMENSIONS

No. teeth	PD [mm]	S [mm]	D [mm]	H [mm]	K [mm]
12	104	38.5	45.5	35	8x8
18	155	38.5	45.5	35	8x8
24	208	38.5	45.5	35	8x8