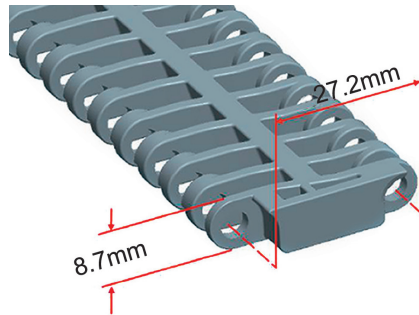


HS-700B-N

Pitch	27.2 mm
Minimum width	152 mm
Open area	38%
Approved	FDA
Rod	Ø 5 mm
Flight	Yes
Side guard	Yes
Curve	No



DATA

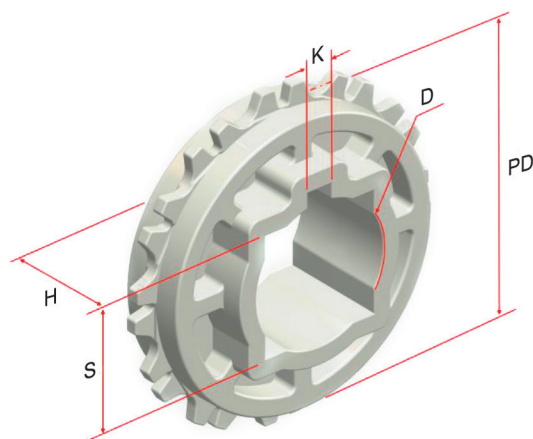
Belt material	Belt strenght			Temperature		Belt weight [kg/m ²]
	Straight		Curve	°C [min.]	°C [max.]	
	kg/m[BW]	N/m[BW]				
Polypropylene	1040	10400	-	1	100	4.0
Polyethylene	520	5200	-	-60	60	4.8
Acetal	1620	16200	-	-40	80	6.2
Nylon	1510	15100	-	1	180	5.7

BW - belt width

COLOR TABLE

Polypropylene					Polyethylene					Acetal					Nylon				
W	G	N	DB	B	W	G	N	DB	B	W	G	N	DB	B	W	G	N	DB	B
●	●			●			●			●						●			

W - White, G - Grey, N - Nature, DB - Dark brown, B-Blue



SPROCKET DIMENSIONS

No. teeth	PD [mm]	S [mm]	D [mm]	H [mm]	K [mm]
9	-	-	25.4	35	8x8
12	104	25.4/38.5/40.5	25.4/30.5/45.5/47.5	35	8x8
18	155	38.5/40.5	25.4/30.5/46/47.5	35	8x8
24	208	38.5/40.5	45.5/47.5	35	8x8