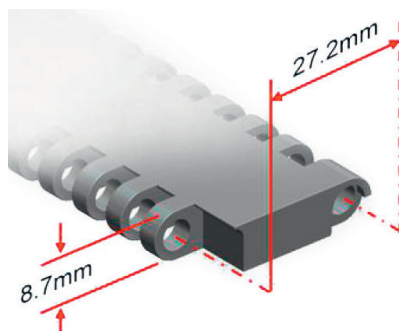


# HS-700A-N

|               |         |
|---------------|---------|
| Pitch         | 27.2 mm |
| Minimum width | 152 mm  |
| Open area     | 0%      |
| Approved      | FDA     |
| Rod           | Ø 5 mm  |
| Flight        | Yes     |
| Side guard    | Yes     |
| Curve         | No      |



## DATA

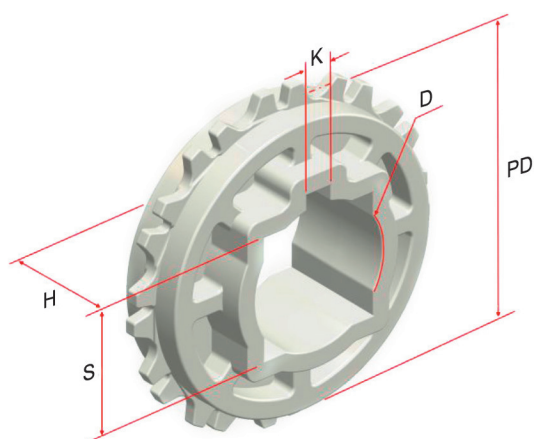
| Belt material | Belt strenght |         |       | Temperature |           | Belt weight<br>[kg/m <sup>2</sup> ] |
|---------------|---------------|---------|-------|-------------|-----------|-------------------------------------|
|               | Straight      |         | Curve | °C [min.]   | °C [max.] |                                     |
|               | kg/m[BW]      | N/m[BW] |       |             |           |                                     |
| Polypropylene | 1320          | 13200   | -     | 1           | 100       | 4.9                                 |
| Polyethylene  | 1060          | 10600   | -     | -60         | 60        | 5.7                                 |
| Acetal        | 1880          | 18800   | -     | -40         | 80        | 6.8                                 |
| Nylon         | 1610          | 16100   | -     | 1           | 180       | 6.5                                 |

BW - belt width

## COLOR TABLE

| Polypropylene |   |   |    |   | Polyethylene |   |   |    |   | Acetal |   |   |    |   | Nylon |   |   |    |   |
|---------------|---|---|----|---|--------------|---|---|----|---|--------|---|---|----|---|-------|---|---|----|---|
| W             | G | N | DB | B | W            | G | N | DB | B | W      | G | N | DB | B | W     | G | N | DB | B |
| ●             | ● |   |    |   |              |   | ● |    |   | ●      |   |   |    | ● |       |   |   | ●  |   |

W - White, G - Grey, N - Nature, DB - Dark brown, B-Blue



## SPROCKET DIMENSIONS

| No. teeth | PD [mm] | S [mm]         | D [mm]              | H [mm] | K [mm] |
|-----------|---------|----------------|---------------------|--------|--------|
| 9         | -       | -              | 25.4                | 35     | 8x8    |
| 12        | 104     | 25.4/38.5/40.5 | 25.4/30.5/45.5/47.5 | 35     | 8x8    |
| 18        | 155     | 38.5/40.5      | 25.4/30.5/46/47.5   | 35     | 8x8    |
| 24        | 208     | 38.5/40.5      | 45.5/47.5           | 35     | 8x8    |