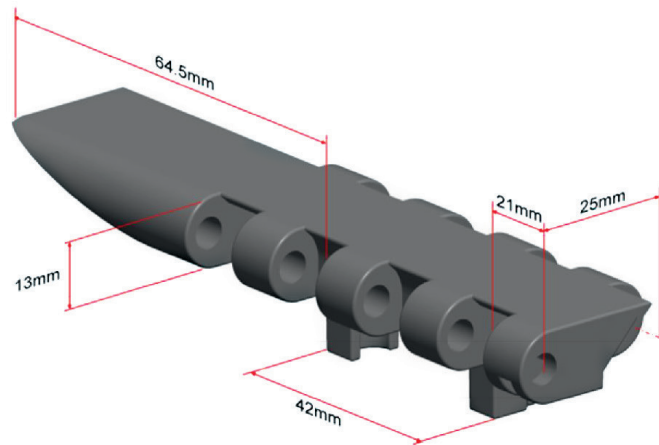


# HS-502A-127.5 FB

|               |          |
|---------------|----------|
| Pitch         | 25 mm    |
| Minimum width | 127.5 mm |
| Open area     | 0%       |
| Approved      | FDA      |
| Rod           | Ø 5 mm   |
| Flight        | No       |
| Side guard    | No       |
| Curve         | No       |



## DATA

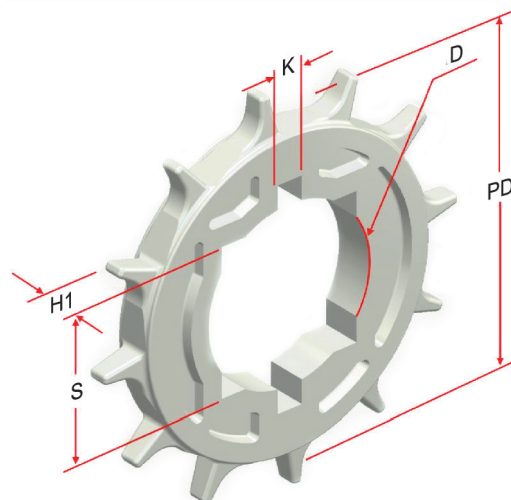
| Belt material | Belt strenght |         |       | Temperature |           | Belt weight          |
|---------------|---------------|---------|-------|-------------|-----------|----------------------|
|               | Straight      |         | Curve | °C [min.]   | °C [max.] | [kg/m <sup>2</sup> ] |
|               | kg/m[BW]      | N/m[BW] |       |             |           |                      |
| Polypropylene | 1060          | 10600   | -     | 1           | 100       | 7.1                  |
| Acetal        | 1720          | 17200   | -     | -40         | 80        | 11.0                 |

BW - belt width

## COLOR TABLE

| Polypropylene |   |   |    |   | Polyethylene |   |   |    |   | Acetal |   |   |    |   | Nylon |   |   |    |   |
|---------------|---|---|----|---|--------------|---|---|----|---|--------|---|---|----|---|-------|---|---|----|---|
| W             | G | N | DB | B | W            | G | N | DB | B | W      | G | N | DB | B | W     | G | N | DB | B |
| ●             | ● |   |    |   |              |   | ● |    |   | ●      |   |   |    | ● |       |   |   | ●  |   |

W - White, G - Grey, N - Nature, DB - Dark brown, B-Blue



## SPROCKET DIMENSIONS

| No. teeth | PD [mm] | S [mm]              | D [mm]                   | H1 [mm] | H2 [mm] | K [mm] |
|-----------|---------|---------------------|--------------------------|---------|---------|--------|
| 12        | 93      | 25.4/38.5/39/40.5   | 25.4/30.5/35.5/46.5/47.5 | 18      | -       | 7x7    |
| 18        | 145     | 38.5/40.5           | 30.5/40.5/45.5/47.5      | 18      | -       | 7x7    |
| 24        | 190     | 38.5/40.5/50.5/60.5 | -                        | 30      | -       | -      |