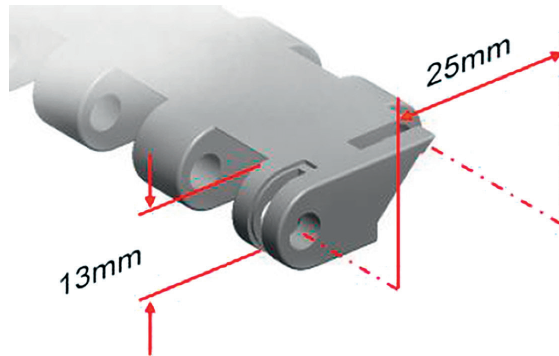


HS-502A

Pitch	25 mm
Minimum width	178 mm
Open area	0%
Approved	FDA
Rod	Ø 5 mm
Flight	Yes
Side guard	No
Curve	No



DATA

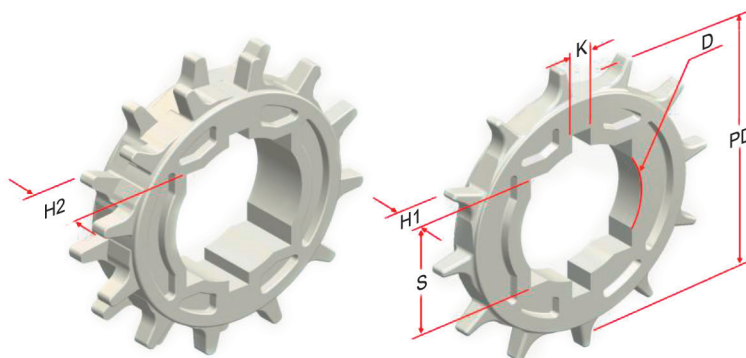
Belt material	Belt strenght			Temperature		Belt weight [kg/m ²]
	Straight		Curve	°C [min.]	°C [max.]	
	kg/m[BW]	N/m[BW]				
Polypropylene	1060	10600	-	1	100	6.9
Polyethylene	1030	10300	-	-60	60	7.7
Acetal	1720	17200	-	-40	80	11.5
Nylon	1520	15200	-	1	180	10.6

BW - belt width

COLOR TABLE

Polypropylene					Polyethylene					Acetal					Nylon				
W	G	N	DB	B	W	G	N	DB	B	W	G	N	DB	B	W	G	N	DB	B
●	●						●			●				●				●	

W - White, G - Grey, N - Nature, DB - Dark brown, B-Blue



SPROCKET DIMENSIONS

No. teeth	PD [mm]	S [mm]	D [mm]	H1 [mm]	H2 [mm]	K [mm]
12	93	25.4/38.5/39/40.5	25.4/30.5/35.5/46.5/47.5	18	-	7x7
18	145	38.5/40.5	30.5/40.5/45.5/47.5	18	-	7x7
24	190	38.5/40.5/50.5/60.5	-	30	-	-
12-2R	93	38.5/40.5	25.4/30.5/45.5/47.5	-	20	8x8
15-2R	120	38.5/40.5	25.4/30.5/45.5/47.5	-	20	8x8
18-2R	145	38.5/40.5/45.5/60.5	40.5/45.5/47.5	-	20	8x8
21-2R	172	38.5/40.5	45.5	-	35	8x8
24-2R	190	38.5/40.5/60.5	-	-	35	-