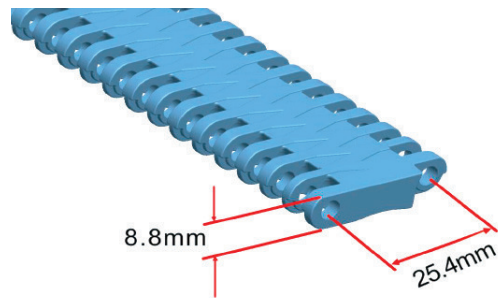


HS-502A-HD-D

Pitch	25.4 mm
Minimum width	150 mm
Open area	0%
Approved	FDA
Rod	Ø 5 mm
Flight	No
Side guard	No
Curve	No



DATA

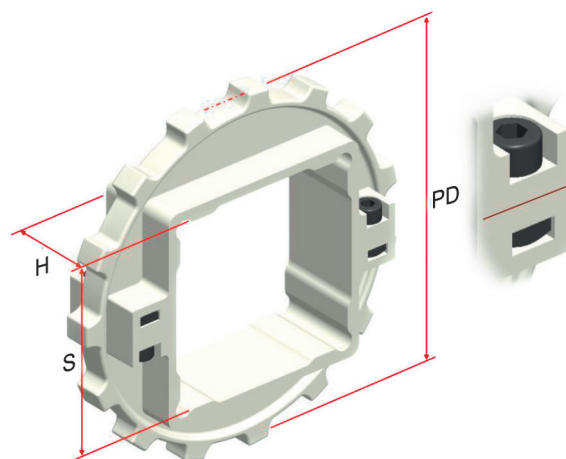
Belt material	Belt strenght			Temperature		Belt weight [kg/m ²]
	Straight		Curve	°C [min.]	°C [max.]	
	kg/m[BW]	N/m[BW]				
Polypropylene	2000	20000	-	1	100	5.4
Acetal	3500	35000	-	-40	80	8.3

BW - belt width

COLOR TABLE

Polypropylene					Polyethylene					Acetal					Nylon				
W	G	N	DB	B	W	G	N	DB	B	W	G	N	DB	B	W	G	N	DB	B
●	●									●				●					

W - White, G - Grey, N - Nature, DB - Dark brown, B-Blue



SPROCKET DIMENSIONS

No. teeth	PD [mm]	S [mm]	D [mm]	H [mm]	K [mm]
12	98	38.5/40.5	-	25	-
15-Split	122	38.5/40.5/50.5/60.5/65.5	-	29	-
18-Split	146	60.5	-	35	-
18	146	40.5/60.5	45.5	25	-
19-Split	154	38.5/40.5/50.5/60.5/65.5	-	35	-
24-Split	194.6	60.5/65.5	-	52	-