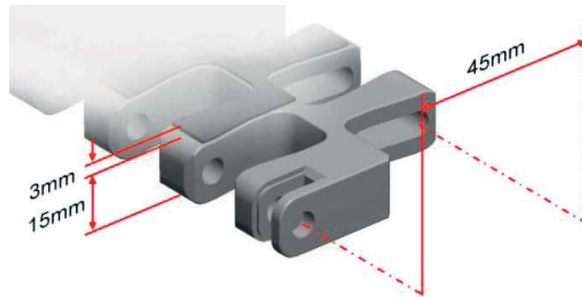


# HS-300B-HD-EL

Pitch	45 mm
Minimum width	218 mm
Open area	38%
Approved	FDA
Rod	Ø 6 mm
Flight	No
Side guard	Yes
Curve	Yes



## DATA

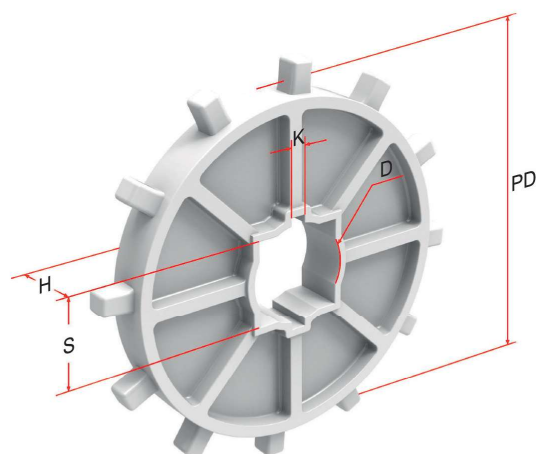
Belt material	Belt strenght				Temperature		Belt weight [kg/m <sup>2</sup> ]
	Straight		Curve		°C [min.]	°C [max.]	
	kg/m[BW]	N/m[BW]	kg/m[BW]	N/m[BW]			
Polypropylene	2060	20600	206	2060	1	70	7.6

BW - belt width

## COLOR TABLE

Polypropylene					Polyethylene					Acetal					Nylon				
W	G	N	DB	B	W	G	N	DB	B	W	G	N	DB	B	W	G	N	DB	B
●	●																		

W - White, G - Grey, N - Nature, DB - Dark brown, B-Blue

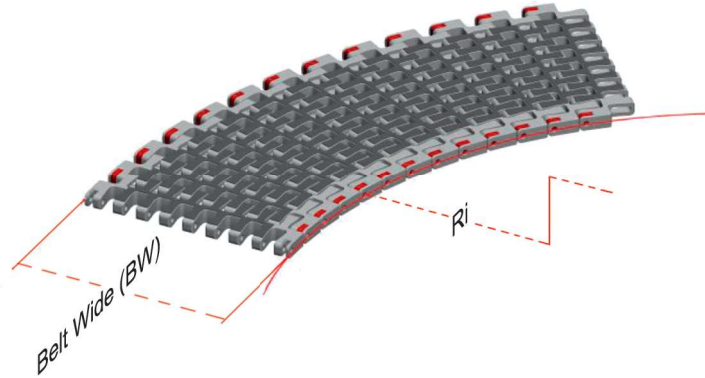


## SPROCKET DIMENSIONS

No. teeth	PD [mm]	S [mm]	D [mm]	H [mm]	K [mm]
8	120	38.5/40.5	-	25	-
12	185	38.5/40.5	46.5	24	6x6

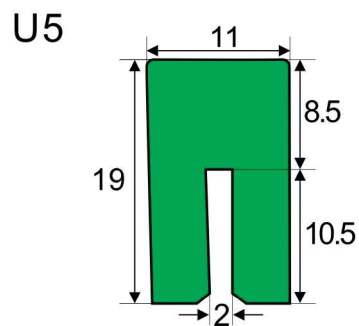
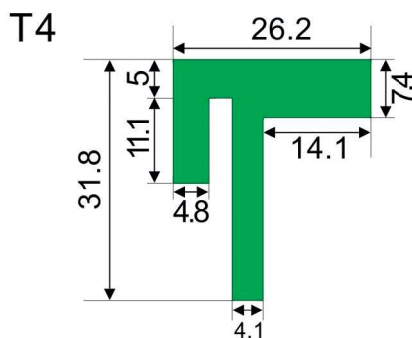
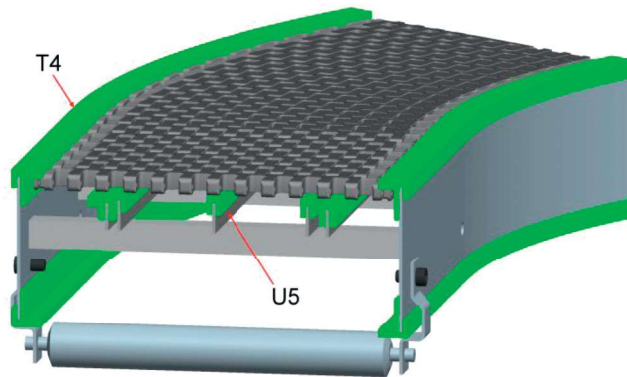
# HS-300B-HD-EL

## Design Guide Summary



- The minimum turning radius (inside) is 2.2 times of belt width under all feasible belt width, 2.5 times of belt width is the most optimal.
- The minimum straight run section near driving shaft and idling shaft of radius belt must be 2 times of the belt width in length.
- The minimum straight run section between two turns of opposing direction must be 2 times of the belt width in length.

## Guide Rail & Wear Strips



- We have different kinds of guide rail and wear strips for your choice; For more information, please consult our sales team.