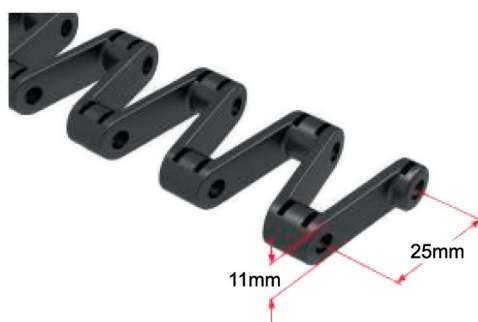


# HS-2600B

Pitch	25 mm
Minimum width	182 mm
Open area	44%
Approved	FDA
Rod	Ø 4.5 mm
Flight	No
Side guard	No
Curve	No



## DATA

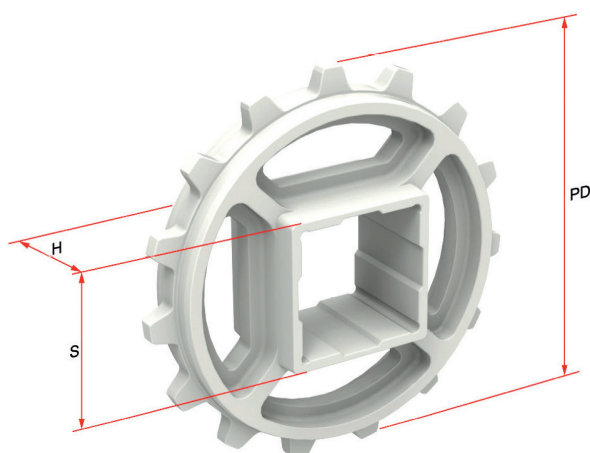
Belt material	Belt strenght			Temperature		Belt weight [kg/m <sup>2</sup> ]
	Straight		Curve	°C [min.]	°C [max.]	
	kg/m[BW]	N/m[BW]				
Polypropylene	1100	11000	-	1	100	4.8
Polyethylene	1000	10000	-	-60	60	5.1
Acetal	1580	15800	-	-40	80	9.2
Nylon	1350	13500	-	1	180	6.8

BW - belt width

## COLOR TABLE

Polypropylene					Polyethylene					Acetal					Nylon				
W	G	N	DB	B	W	G	N	DB	B	W	G	N	DB	B	W	G	N	DB	B
●	●						●			●				●		●		●	

W - White, G - Grey, N - Nature, DB - Dark brown, B-Blue



## SPROCKET DIMENSIONS

No. teeth	PD [mm]	S [mm]	D [mm]	H [mm]	K [mm]
9	73	30.5	-	35	-
11	89	38.5/40.5	25.5	35	8X8
13	104	38.5/40.5	25.5	35	8X8
15	120	38.5/40.5	-	35	-