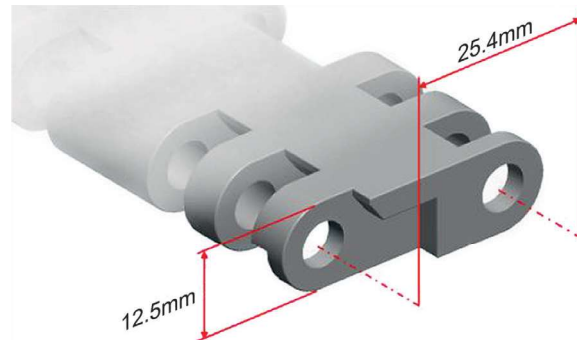


# HS-201A

Pitch	25.4 mm
Minimum width	150 mm
Open area	0%
Approved	FDA
Rod	Ø 5 mm
Flight	No
Side guard	No
Curve	No



## DATA

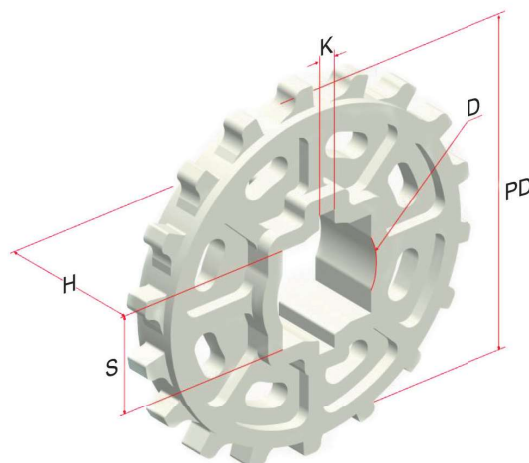
Belt material	Belt strenght			Temperature		Belt weight
	Straight		Curve	°C [min.]	°C [max.]	[kg/m <sup>2</sup> ]
	kg/m[BW]	N/m[BW]				
Polypropylene	1270	12700	-	1	100	6.8
Polyethylene	1210	12100	-	-60	60	7.0
Acetal	1680	16800	-	-40	80	9.9
Nylon	1440	14400	-	1	180	8.6

BW - belt width

## COLOR TABLE

Polypropylene					Polyethylene					Acetal					Nylon				
W	G	N	DB	B	W	G	N	DB	B	W	G	N	DB	B	W	G	N	DB	B
●	●						●			●				●				●	

W - White, G - Grey, N - Nature, DB - Dark brown, B-Blue



## SPROCKET DIMENSIONS

No. teeth	PD [mm]	S [mm]	D [mm]	H [mm]	K [mm]
18	145	38.5/40.5	40.5/45.5	30	7x7