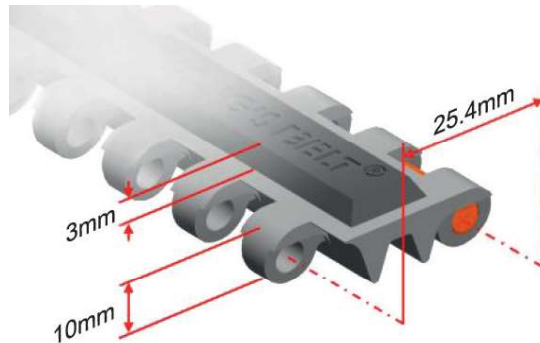


HS-200EL

| | |
|---------------|---------|
| Pitch | 25.4 mm |
| Minimum width | 150 mm |
| Open area | 0% |
| Approved | FDA |
| Rod | Ø 5 mm |
| Flight | Yes |
| Side guard | Yes |
| Curve | No |



DATA

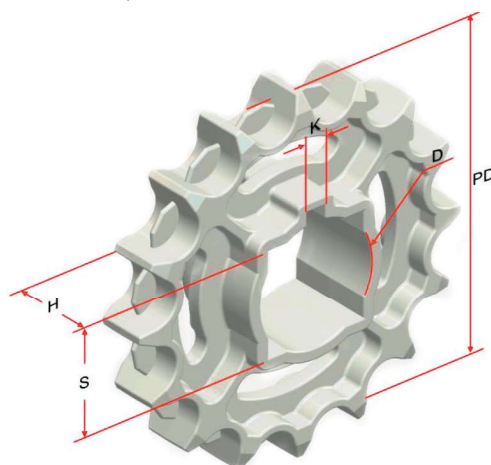
| Belt material | Belt strenght | | | Temperature | | Belt weight [kg/m ²] |
|---------------|---------------|---------|-------|-------------|-----------|-------------------------------------|
| | Straight | | Curve | °C [min.] | °C [max.] | |
| | kg/m[BW] | N/m[BW] | | | | |
| Polypropylene | 1155 | 11550 | - | 1 | 100 | 6.0 |

BW - belt width

COLOR TABLE

| Polypropylene | | | | | Polyethylene | | | | | Acetal | | | | | Nylon | | | | |
|---------------|---|---|----|---|--------------|---|---|----|---|--------|---|---|----|---|-------|---|---|----|---|
| W | G | N | DB | B | W | G | N | DB | B | W | G | N | DB | B | W | G | N | DB | B |
| ● | ● | | | | | | | | | | | | | | | | | | |

W - White, G - Grey, N - Nature, DB - Dark brown, B-Blue



SPROCKET DIMENSIONS

| No. teeth | PD [mm] | S [mm] | D [mm] | H [mm] | K [mm] |
|-----------|---------|----------------|----------------|--------|--------|
| 8 | 64 | - | 30,5 | 22 | 6x6 |
| 10 | 83 | 38,5/40,5 | 25,5/30,5/45,5 | 22 | 7x7 |
| 12 | 98 | 35,5/38,5/40,5 | 25,5/30/45,5 | 38 | 7x7 |
| 16 | 130 | 35,5/38,5/40,5 | 25,5/30/47,5 | 34 | 7x7 |
| 20 | 162 | 40,5 | 47,5 | 38 | 7x7 |