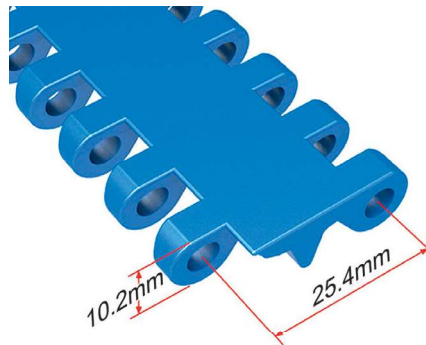


HS-200A-HD

Pitch	25.4 mm
Minimum width	152 mm
Open area	0%
Approved	FDA
Rod	Ø 5,3 mm
Flight	Yes
Side guard	Yes
Curve	No



DATA

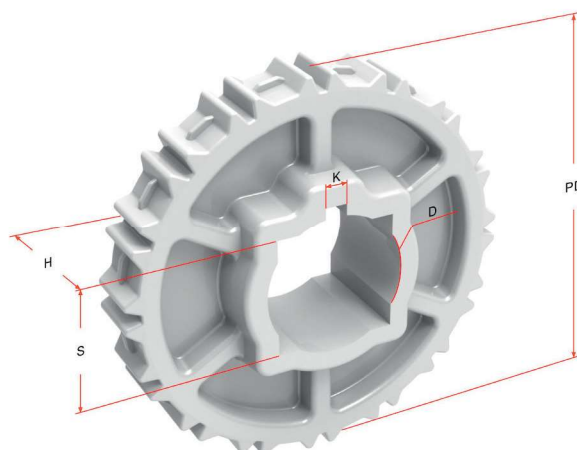
Belt material	Belt strenght			Temperature		Belt weight [kg/m ²]
	Straight		Curve	°C [min.]	°C [max.]	
	kg/m[BW]	N/m[BW]				
Polypropylene	1155	11550	-	1	100	4.25
Polyethylene	1105	11050	-	-60	60	4.4
Acetal	1520	15200	-	-40	80	6.2
Nylon	1310	13100	-	1	180	5.4

BW - belt width

COLOR TABLE

Polypropylene					Polyethylene					Acetal					Nylon				
W	G	N	DB	B	W	G	N	DB	B	W	G	N	DB	B	W	G	N	DB	B
●	●						●			●				●				●	

W - White, G - Grey, N - Nature, DB - Dark brown, B-Blue



SPROCKET DIMENSIONS

No. teeth	PD [mm]	S [mm]	D [mm]	H [mm]	K [mm]
8	64	25,5	25,5/30,5	22	6x6
10	82	38,5/40,5	25,5/45,5	22	7x7
12	98	38,5/40,5	25,3/30,5/45,5	38	7x7
16	130	38,5/40,5	45,5	34	7x7
20	162	38,5/40,5	45,5	38	7x7