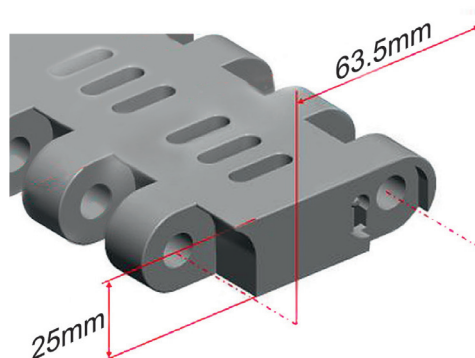


# HS-1800B

Pitch	63.5 mm
Minimum width	200 mm
Open area	10%
Approved	FDA
Rod	Ø 10 mm stainless steel
Flight	No
Side guard	No
Curve	No



## DATA

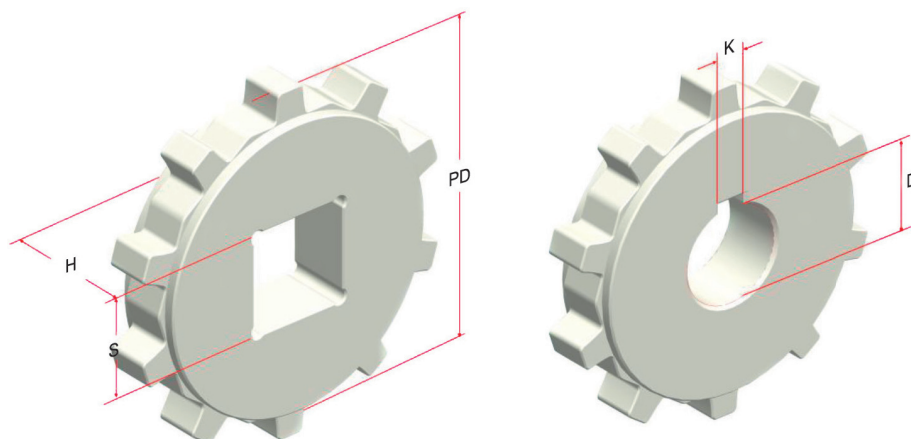
Belt material	Belt strenght			Temperature		Belt weight
	Straight		Curve	°C [min.]	°C [max.]	[kg/m <sup>2</sup> ]
	kg/m[BW]	N/m[BW]				
Acetal	10000	100000	-	-40	80	33.3
Acetal+AS	10000	100000	-	-40	85	33.3

BW - belt width  
AS - Anti-Static

## COLOR TABLE

Polypropylene					Polyethylene					Acetal					Nylon				
W	G	N	DB	B	W	G	N	DB	B	W	G	N	DB	BL	W	G	N	DB	B
										●				●					

W - White, G - Grey, N - Nature, DB - Dark brown, B-Blue, BL - Black



## SPROCKET DIMENSIONS

No. teeth	PD [mm]	S [mm]	D [mm]	H [mm]	K [mm]
10	205	60.5	-	36	-
13	265	63.5/80.5	-	36	-
15	305	90.5	-	36	-

The above sprockets are standard, and it also can be customized according to customer's request, including the teeth number of sprocket and the size of square bore.