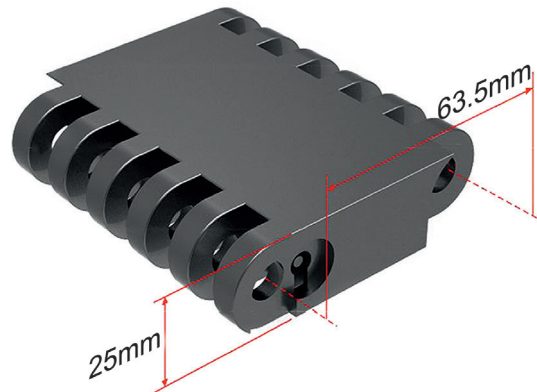


HS-1800A-100

| | |
|---------------|----------------------------|
| Pitch | 63.5mm |
| Minimum width | 100 mm |
| Open area | 0% |
| Approved | FDA |
| Rod | Ø 10 mm stainless steel |
| Flight | No |
| Side guard | No |
| Curve | No |



DATA

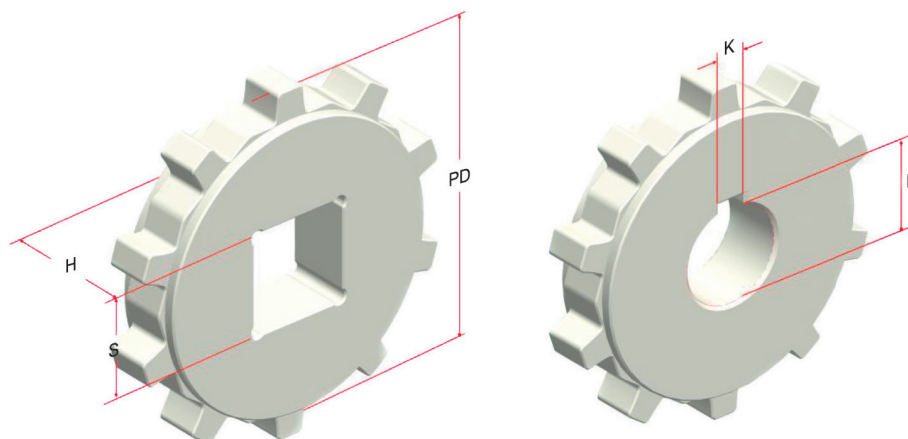
| Belt material | Belt strenght | | | Temperature | | Belt weight [kg/m ²] |
|---------------|---------------|---------|-------|-------------|-----------|-------------------------------------|
| | Straight | | Curve | °C [min.] | °C [max.] | |
| | kg/m[BW] | N/m[BW] | | | | |
| Acetal | 10000 | 100000 | - | -40 | 80 | 33.3 |
| Acetal+AS | 10000 | 100000 | - | -40 | 85 | 33.3 |

BW - belt width
AS - Anti-Static

COLOR TABLE

| Polypropylene | | | | | Polyethylene | | | | | Acetal | | | | | Nylon | | | | |
|---------------|---|---|----|---|--------------|---|---|----|---|--------|---|---|----|----|-------|---|---|----|---|
| W | G | N | DB | B | W | G | N | DB | B | W | G | N | DB | BL | W | G | N | DB | B |
| | | | | | | | | | | ● | | | | ● | | | | | |

W - White, G - Grey, N - Nature, DB - Dark brown, B-Blue, BL - Black



SPROCKET DIMENSIONS

| No. teeth | PD [mm] | S [mm] | D [mm] | H [mm] | K [mm] |
|-----------|---------|-----------|--------|--------|--------|
| 10 | 205 | 60.5 | - | 36 | - |
| 13 | 265 | 63.5/80.5 | - | 36 | - |
| 15 | 305 | 90.5 | - | 36 | - |

The above sprockets are standard, and it also can be customized according to customer's request, including the teeth number of sprocket and the size of square bore.