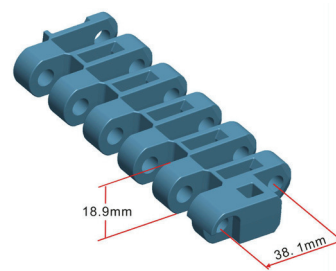


HS-1700B

| | |
|---------------|---------|
| Pitch | 38.1 mm |
| Minimum width | 250 mm |
| Open area | 37% |
| Approved | FDA |
| Rod | Ø 8 mm |
| Flight | No |
| Side guard | No |
| Curve | No |



DATA

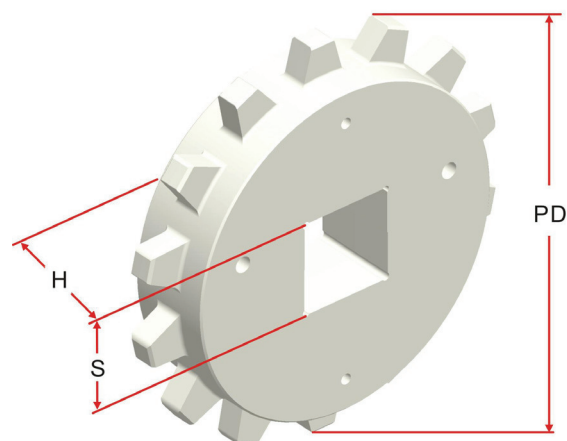
| Belt material | Belt strenght | | | Temperature | | Belt weight [kg/m ²] |
|---------------|---------------|---------|-------|-------------|-----------|-------------------------------------|
| | Straight | | Curve | °C [min.] | °C [max.] | |
| | kg/m[BW] | N/m[BW] | | | | |
| PP+AS | 3000 | 30000 | - | 1 | 104 | 15.0 |
| Acetal | 5000 | 50000 | - | -40 | 80 | 21.3 |
| Acetal+AS | 5000 | 50000 | - | -40 | 90 | 21.3 |

BW – Belt Width AS - Anti-Static

COLOR TABLE

| Polypropylene | | | | | Polyethylene | | | | | Acetal | | | | | Nylon | | | | |
|---------------|---|---|----|---|--------------|---|---|----|---|--------|---|---|----|---|-------|---|---|----|---|
| W | G | N | DB | B | W | G | N | DB | B | W | G | N | DB | B | W | G | N | DB | B |
| ● | ● | | | | | | | | | ● | | | | ● | | | | | |

W - White, G - Grey, N - Nature, DB - Dark brown, B-Blue



SPROCKET DIMENSIONS

| No. teeth | PD [mm] | S [mm] | D [mm] | H [mm] | K [mm] |
|-----------|---------|--------|--------|--------|--------|
| 14 | 172 | 40.5 | - | - | - |