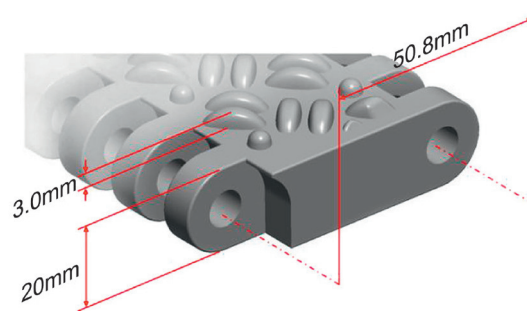


# HS-1600D

Pitch	50.8 mm
Minimum width	150 mm
Open area	0%
Approved	FDA
Rod	Ø 10 mm
Flight	No
Side guard	No
Curve	No



## DATA

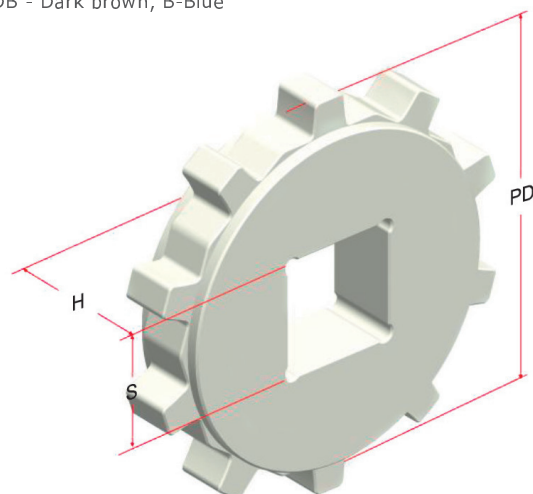
Belt material	Belt strenght			Temperature		Belt weight
	Straight		Curve	°C [min.]	°C [max.]	[kg/m <sup>2</sup> ]
	kg/m[BW]	N/m[BW]				
PP+AS	3000	30000	-	1	104	15.2
Acetal	5000	50000	-	-40	80	21.5
Acetal+AS	5000	50000	-	-40	90	21.5

BW - belt width  
AS - Anti-Static

## COLOR TABLE

Polypropylene					Polyethylene					Acetal					Nylon				
W	G	N	DB	B	W	G	N	DB	B	W	G	N	DB	B	W	G	N	DB	B
●	●									●				●					

W - White, G - Grey, N - Nature, DB - Dark brown, B-Blue



## SPROCKET DIMENSIONS

No. teeth	PD [mm]	S [mm]	D [mm]	H [mm]	K [mm]
12	196	60.5	-	45	-
15	244	60.5	-	45	-
18	293	90.5	-	45	-