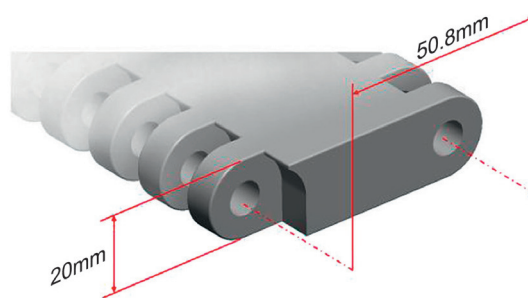


HS-1600A

Pitch	50.8 mm
Minimum width	150 mm
Open area	0%
Approved	FDA
Rod	Ø 10 mm
Flight	No
Side guard	No
Curve	No



DATA

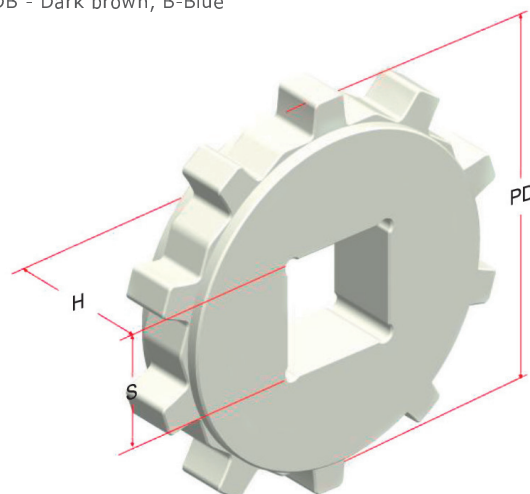
Belt material	Belt strenght			Temperature		Belt weight [kg/m ²]
	Straight		Curve	°C [min.]	°C [max.]	
	kg/m[BW]	N/m[BW]				
PP+AS	3000	30000	-	1	104	15.0
Acetal	5000	50000	-	-40	80	21.3
Acetal+AS	5000	50000	-	-40	90	21.3

BW - belt width
AS - Anti-Static

COLOR TABLE

Polypropylene					Polyethylene					Acetal					Nylon				
W	G	N	DB	B	W	G	N	DB	B	W	G	N	DB	B	W	G	N	DB	B
●	●									●				●					

W - White, G - Grey, N - Nature, DB - Dark brown, B-Blue



SPROCKET DIMENSIONS

No. teeth	PD [mm]	S [mm]	D [mm]	H [mm]	K [mm]
12	196	60.5	-	45	-
15	244	60.5	-	45	-
18	293	90.5	-	45	-