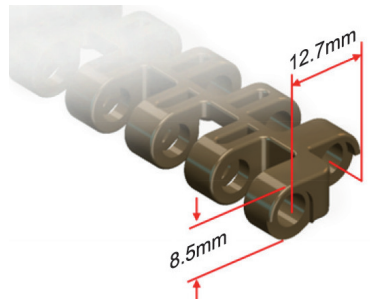


HS-1500B

Pitch	12.7 mm
Minimum width	208 mm
Open area	19%
Approved	FDA
Rod	Ø 4.5 mm
Flight	No
Side guard	No
Curve	No



DATA

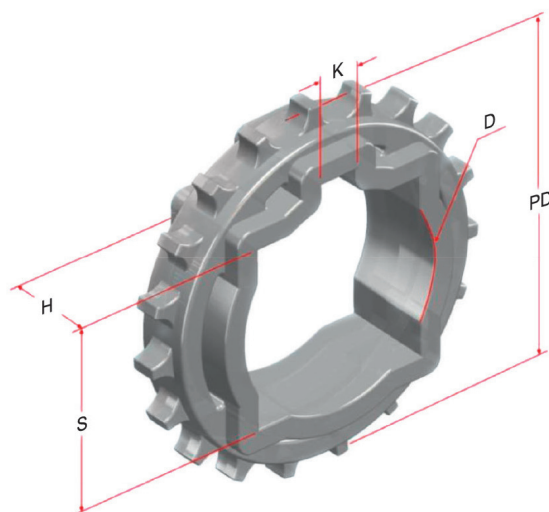
Belt material	Belt strenght			Temperature		Belt weight [kg/m ²]
	Straight		Curve	°C [min.]	°C [max.]	
	kg/m[BW]	N/m[BW]				
Polypropylene	1020	10200	-	1	100	3.9
Polyethylene	860	8600	-	-60	60	4.2
Acetal	1650	16500	-	-40	80	6.8
Nylon	1520	15200	-	1	180	5.7

BW - belt width

COLOR TABLE

Polypropylene					Polyethylene					Acetal					Nylon				
W	G	N	DB	B	W	G	N	DB	B	W	G	N	DB	B	W	G	N	DB	B
●	●						●			●			●	●				●	

W - White, G - Grey, N - Nature, DB - Dark brown, B-Blue



SPROCKET DIMENSIONS

No. teeth	PD [mm]	S [mm]	D [mm]	H [mm]	K [mm]
10	41.7	-	20/25	12	6x6
19	77.5	38.5/40.5	25/30.5	20	8x8
24	100.9	38.5/40.5	25.4	30	8x8
28	114.2	38.5/40.5	25/42.5	30	8x8