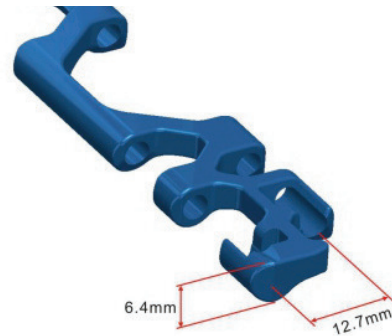


HS-1500B-N

Pitch	12.7 mm
Minimum width	208 mm
Open area	53%
Approved	FDA
Rod	Ø 4.5 mm
Flight	No
Side guard	No
Curve	No



DATA

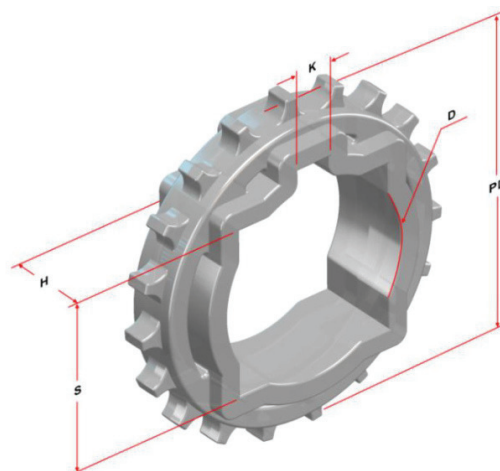
Belt material	Belt strenght			Temperature		Belt weight [kg/m ²]
	Straight		Curve	°C [min.]	°C [max.]	
	kg/m[BW]	N/m[BW]				
Polypropylene	1020	10200	-	1	100	3.9
Polyethylene	860	8600	-	-60	60	4.2
Acetal	1650	16500	-	-40	80	6.8
Nylon	1520	15200	-	1	180	5.7

BW - belt width

COLOR TABLE

Polypropylene					Polyethylene					Acetal					Nylon				
W	G	N	DB	B	W	G	N	DB	B	W	G	N	DB	B	W	G	N	DB	B
●	●						●			●			●	●				●	

W - White, G - Grey, N - Nature, DB - Dark brown, B-Blue



SPROCKET DIMENSIONS

No. teeth	PD [mm]	S [mm]	D [mm]	H [mm]	K [mm]
10	41	16.2	-	17	-
12	48	25.6	25.6	17	6.4x3.2
14	58	25.4	31.75	19	8x8
17	69	-	35	19	8.8
19	79	38.1	35	19	8.8
24	97	38.1	25.4	19	6.4x3.2