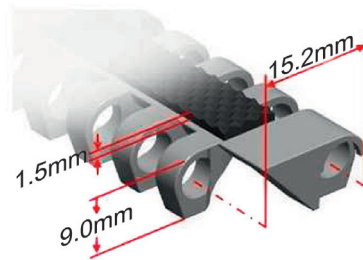


HS-1100EL

Pitch	15.2 mm
Minimum width	212 mm
Open area	30%
Approved	FDA
Rod	Ø 5 mm
Flight	No
Side guard	No
Curve	No



DATA

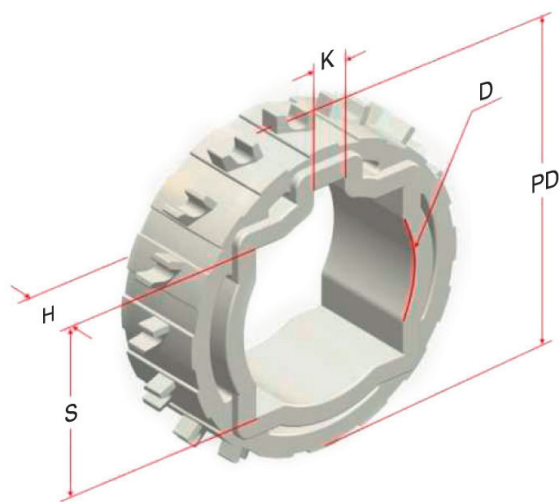
Belt material	Belt strenght			Temperature		Belt weight
	Straight		Curve	°C [min.]	°C [max.]	[kg/m ²]
	kg/m[BW]	N/m[BW]				
Polypropylene	1545	15450	-	1	70	6.0

BW - belt width

COLOR TABLE

Polypropylene					Polyethylene					Acetal					Nylon				
W	G	N	DB	B	W	G	N	DB	B	W	G	N	DB	B	W	G	N	DB	B
●	●																		

W - White, G - Grey, N - Nature, DB - Dark brown, B-Blue



SPROCKET DIMENSIONS

No. teeth	PD [mm]	S [mm]	D [mm]	H [mm]	K [mm]
12	58.5	38.5/40.5	-	22.5	8x8
16	78	38.5/40.5	45.5	25	8x8
24	116	38.5/40.5	47.5	40	8X8
32	155	38.5/40.5	-	40	-