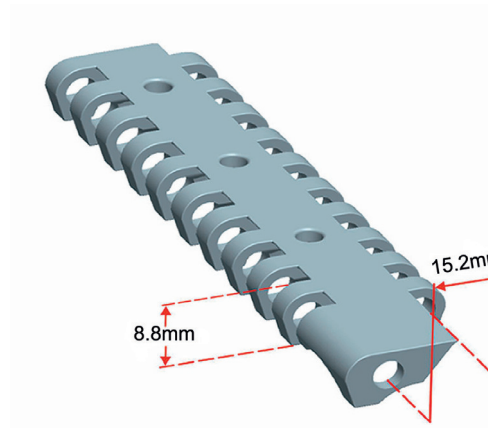


HS-1100AB-N

Pitch	15.2 mm
Minimum width	152 mm
Open area	3%
Approved	FDA
Rod	Ø 5.0 mm
Flight	No
Side guard	No
Curve	No



DATA

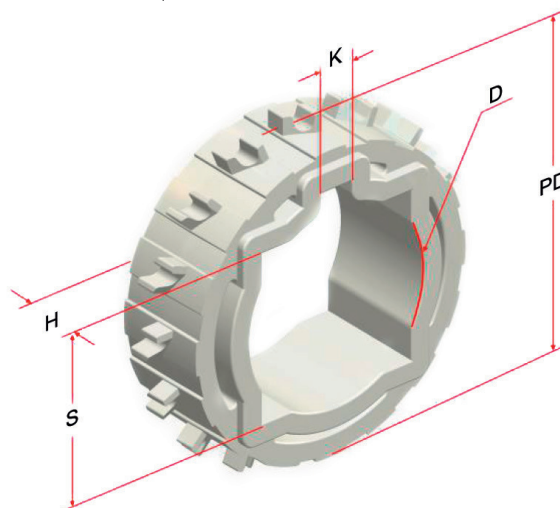
Belt material	Belt strenght			Temperature		Belt weight [kg/m ²]
	Straight		Curve	°C [min.]	°C [max.]	
	kg/m[BW]	N/m[BW]				
Polypropylene	1545	15450	-	1	100	5.2
Polyethylene	1470	14700	-	-60	60	6.0
Acetal	1650	16500	-	-40	80	7.5
Nylon	1565	15650	-	1	180	7.0

BW - belt width

COLOR TABLE

Polypropylene					Polyethylene					Acetal					Nylon				
W	G	N	DB	B	W	G	N	DB	B	W	G	N	DB	B	W	G	N	DB	B
●	●						●			●						●			

W - White, G - Grey, N - Nature, DB - Dark brown, B-Blue



SPROCKET DIMENSIONS

No. teeth	PD [mm]	S [mm]	D [mm]	H [mm]	K [mm]
12	58.5	25.5	-	22.5	-
16	78	38.5/40.5	30.5/45.5	25	8x8
24	116	38.5/40.5	48.5	40	8x8
32	155	38.5/40.5	-	40	-