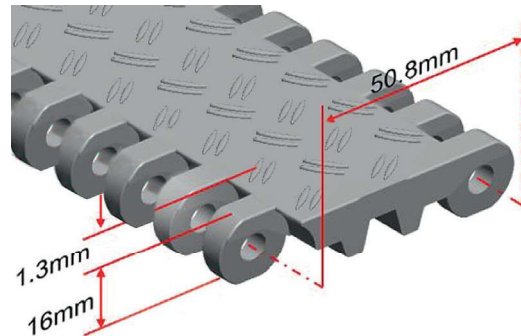


# HS-100D

Pitch	50.8 mm
Minimum width	150 mm
Open area	0%
Approved	FDA
Rod	Ø 6 mm
Flight	Yes
Side guard	Yes
Curve	No



## DATA

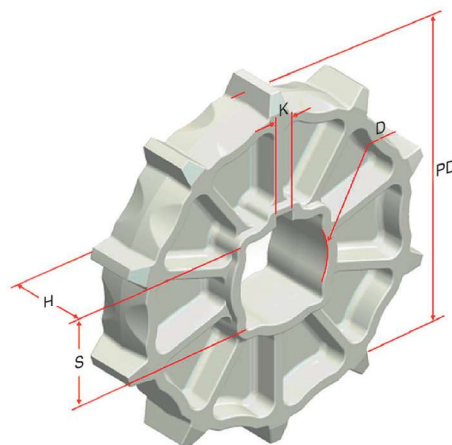
Belt material	Belt strenght			Temperature		Belt weight [kg/m <sup>2</sup> ]
	Straight		Curve	°C [min.]	°C [max.]	
	kg/m[BW]	N/m[BW]				
Polypropylene	1340	13400	-	1	100	8.8
Polyethylene	1280	12800	-	-60	60	9.0
Acetal	1770	17700	-	-40	80	13.3
Nylon	1520	15200	-	1	180	12.7

BW - belt width

## COLOR TABLE

Polypropylene					Polyethylene					Acetal					Nylon				
W	G	N	DB	B	W	G	N	DB	B	W	G	N	DB	B	W	G	N	DB	B
●	●						●			●				●				●	

W - White, G - Grey, N - Nature, DB - Dark brown, B-Blue



## SPROCKET DIMENSIONS

No. teeth	PD [mm]	S [mm]	D [mm]	H [mm]	K [mm]
6	101.6	38.5/40.5	25.5/30.5/35.5	30	7x7
8	133	38.5/40.5	25.5/30.5/35.5/40.5/44.5	37	7x7
9	142	38.5/40.5	32.5/45.5/51	35	8x8
10	164	38.5/40.5/50.5/60.5	25.5/30.5/35.5/45.5	35	8x8
12	196	38.5/40.5	45.5/47.5	37	8x8
16	260	60.5/63.5	-	46	-