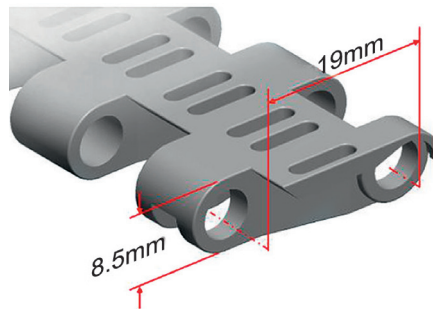


HS-1000B

| | |
|---------------|----------|
| Pitch | 19 mm |
| Minimum width | 152 mm |
| Open area | 27% |
| Approved | FDA |
| Rod | Ø 4.5 mm |
| Flight | Yes |
| Side guard | Yes |
| Curve | No |



DATA

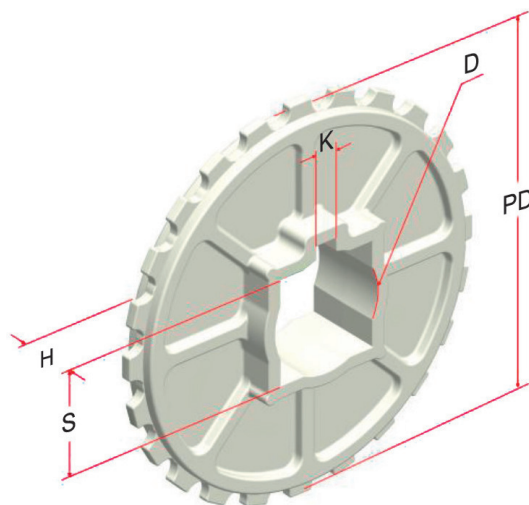
| Belt material | Belt strenght | | | Temperature | | Belt weight [kg/m ²] |
|---------------|---------------|---------|-------|-------------|-----------|-------------------------------------|
| | Straight | | Curve | °C [min.] | °C [max.] | |
| | kg/m[BW] | N/m[BW] | | | | |
| Polypropylene | 1420 | 14200 | - | 1 | 100 | 4.4 |
| Polyethylene | 1210 | 12100 | - | -60 | 60 | 4.6 |
| Acetal | 2025 | 20250 | - | -40 | 80 | 6.0 |
| Nylon | 1500 | 15000 | - | 1 | 180 | 4.7 |

BW - belt width

COLOR TABLE

| Polypropylene | | | | | Polyethylene | | | | | Acetal | | | | | Nylon | | | | |
|---------------|---|---|----|---|--------------|---|---|----|---|--------|---|---|----|---|-------|---|---|----|---|
| W | G | N | DB | B | W | G | N | DB | B | W | G | N | DB | B | W | G | N | DB | B |
| ● | ● | | | | | | ● | | | ● | | | | | | ● | | | |

W - White, G - Grey, N - Nature, DB - Dark brown, B-Blue



SPROCKET DIMENSIONS

| No. teeth | PD [mm] | S [mm] | D [mm] | H [mm] | K [mm] |
|-----------|---------|-----------|----------------|--------|--------|
| 7 | 43.5 | - | 25 | 12 | 6x6 |
| 17 | 102 | 38.5/40.5 | 30.5/45.5/47.5 | 30 | 8x8 |
| 24 | 144 | 38.5 | 45.5 | 30 | 8x8 |