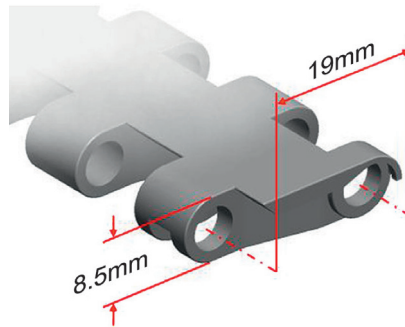


HS-1000A

Pitch	19 mm
Minimum width	152 mm
Open area	0%
Approved	FDA
Rod	Ø 4.5 mm
Flight	Yes
Side guard	Yes
Curve	No



DATA

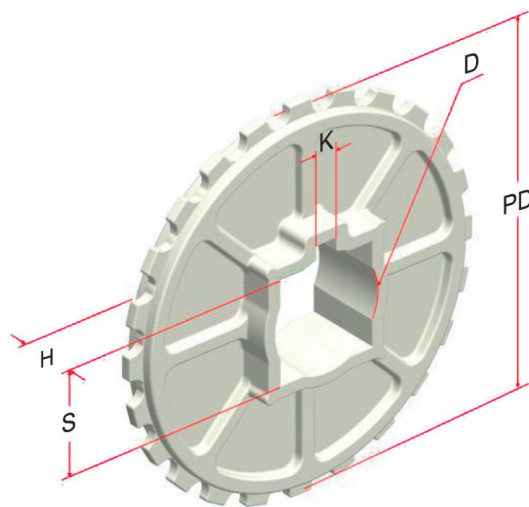
Belt material	Belt strenght			Temperature		Belt weight [kg/m ²]
	Straight		Curve	°C [min.]	°C [max.]	
	kg/m[BW]	N/m[BW]				
Polypropylene	1420	14200	-	1	100	4.7
Polyethylene	1210	12100	-	-60	60	4.9
Acetal	2025	20250	-	-40	80	6.5
Nylon	1500	15000	-	1	180	5.0

BW - belt width

COLOR TABLE

Polypropylene					Polyethylene					Acetal					Nylon				
W	G	N	DB	B	W	G	N	DB	B	W	G	N	DB	B	W	G	N	DB	B
●	●						●			●						●			

W - White, G - Grey, N - Nature, DB - Dark brown, B-Blue



SPROCKET DIMENSIONS

No. teeth	PD [mm]	S [mm]	D [mm]	H [mm]	K [mm]
7	43.5	-	25	12	6x6
17	102	38.5/40.5	30.5/45.5/47.5	30	8x8
24	144	38.5	45.5	30	8x8